

BODY STRUCTURE

General Description

BODY STRUCTURE

1. General Description

A: PREPARATION TOOL

| TOOL NAME | REMARKS |
|---------------------|-------------------------------|
| Tram tracking gauge | Used for measuring dimension. |
| Tape measure | Used for measuring dimension. |

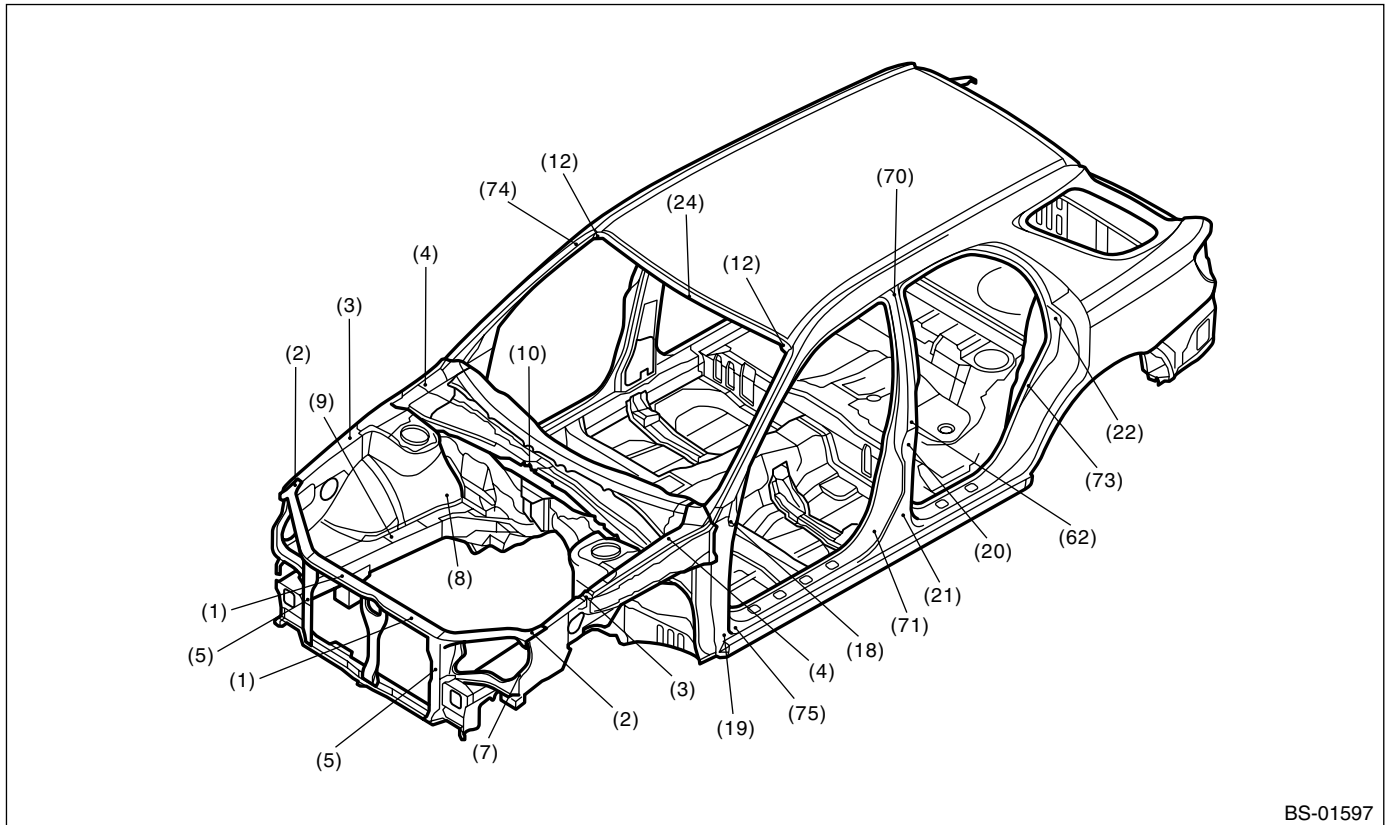
2. Datum Points

A: LOCATION

NOTE:

- Datum points are specified for body repair.
- Guide holes, locators, and indents are provided to facilitate panel replacement and to increase alignment accuracy.
- Both right and left reference points are symmetrical.

1. WAGON MODEL/SEDAN MODEL



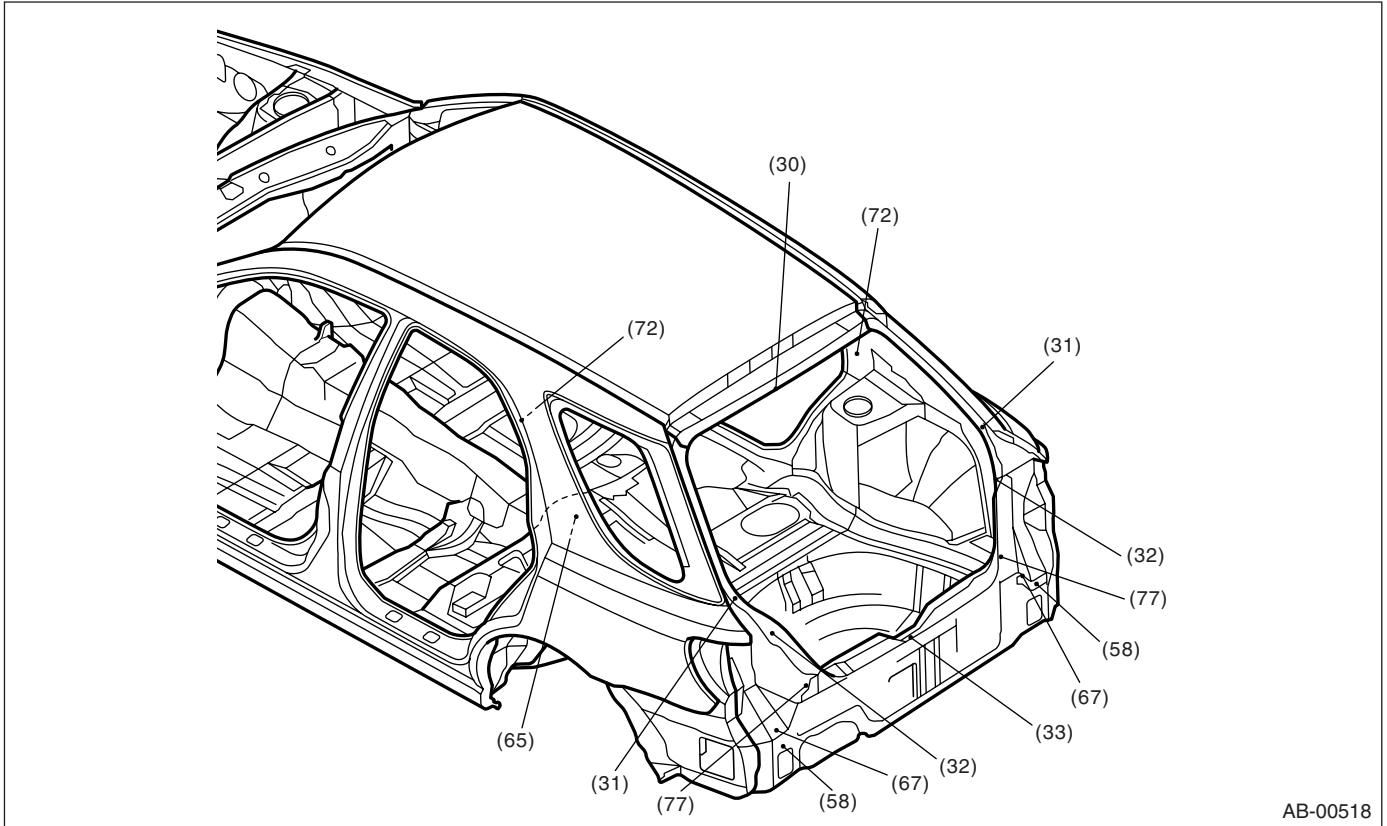
BS-01597

- | | | |
|---|---|--|
| (1) Radiator attaching hole 12 mm (0.47 in) dia. (Symmetrical) | (10) Bracket module center gauge hole 6 mm (0.24 in) dia. (Vehicle center) | (22) Weather strip patch attaching hole 5.2 mm (0.205 in) dia. (Symmetrical) |
| (2) Fender attaching hole 7 mm (0.28 in) dia. (Symmetrical) | (12) Front glass attaching hole RH 6.5 mm (0.256 in) dia. LH 6.5 × 10 mm (0.256 × 0.39 in) dia. | (24) Roof panel repair locator hollow |
| (3) Fender attaching hole 10 mm (0.39 in) dia. (Symmetrical) | (18) Fender attaching hole 12 mm (0.47 in) dia. (Symmetrical) | (62) Belt anchor attaching hole 11 mm (0.43 in) dia. (Symmetrical) |
| (4) Hood hinge attaching hole 12 mm (0.47 in) dia. (Symmetrical) | (19) Fender attaching hole 12 mm (0.47 in) dia. (Symmetrical) | (70) Trim clip attaching hole 8.5 mm (0.335 in) dia. (Symmetrical) |
| (5) Radiator panel side gauge hole 20 mm (0.79 in) dia. (Symmetrical) | (20) Outer panel center pillar gauge hole 12 mm (0.47 in) dia. (Symmetrical) | (71) Harness clip attaching hole 7 mm (0.28 in) dia. (Symmetrical) |
| (7) Fender attaching hole 9.5 mm (0.37 in) dia. (Symmetrical) | (21) Outer panel center pillar gauge hole 12 mm (0.47 in) dia. (Symmetrical) | (73) Harness clip attaching hole 7 mm (0.28 in) dia. (Symmetrical) |
| (8) Gauge hole 12 mm (0.47 in) dia. (Symmetrical) | | (74) Trim clip attaching hole 10 mm (0.39 in) dia. (Symmetrical) |
| (9) Front suspension crossmember attaching hole 12.4 mm (0.488 in) dia. (Symmetrical) | | (75) Insulator attaching hole 8 mm (0.31 in) dia. (Symmetrical) |

Datum Points

BODY STRUCTURE

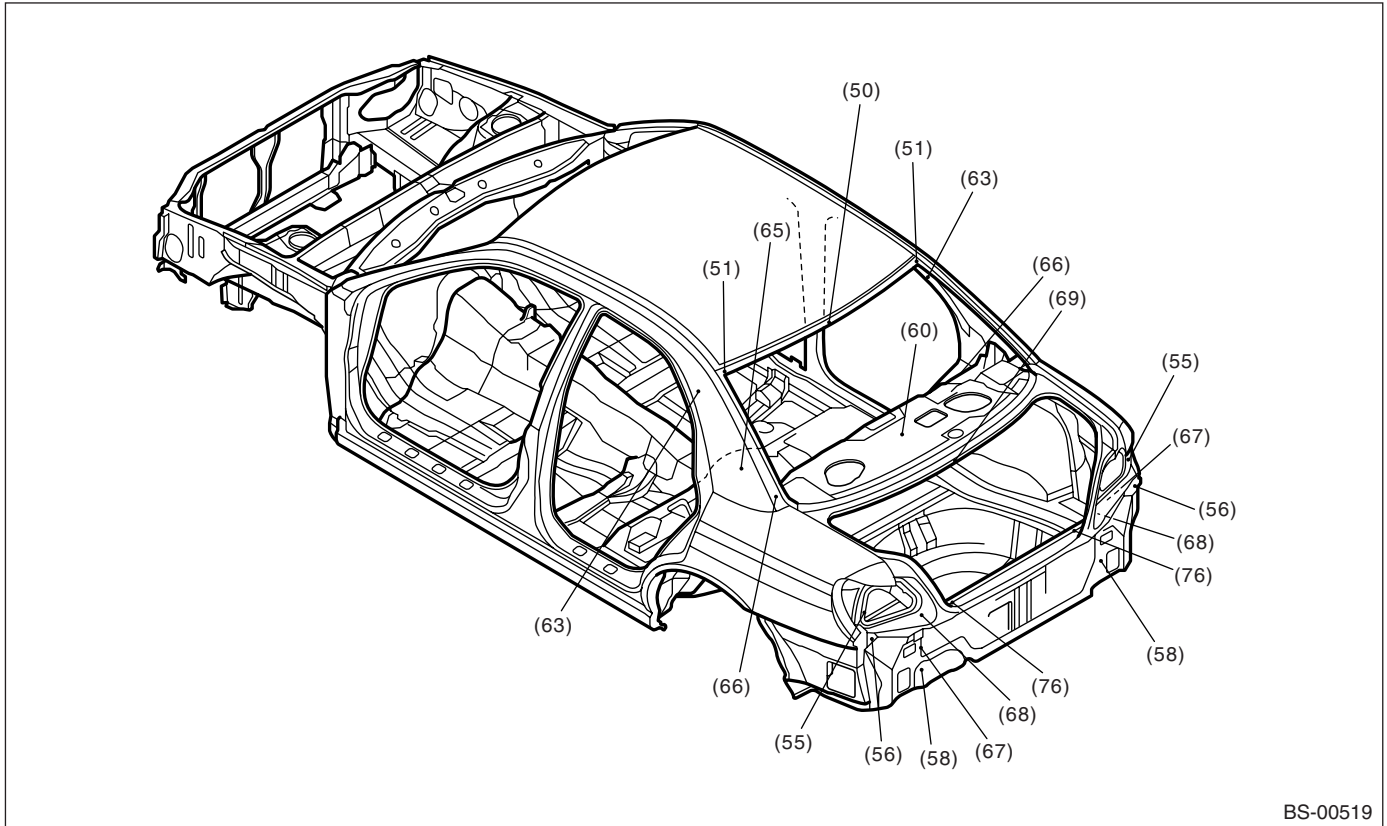
2. WAGON MODEL (REAR)



AB-00518

- | | | |
|---|--|--|
| (30) Child anchor attaching hole 11 mm (0.43 in) dia. | (33) Two striker attaching hole 15 mm (0.59 in) dia. | (67) Gusset floor rear side gauge hole 11.5 mm (0.453 in) dia. (Symmetrical) |
| (31) Washer hose attaching hole LH 7 mm (0.28 in) dia. | (58) Rear bumper plate nut attaching hole 13 mm (0.51 in) dia. (Symmetrical) | (72) Trim upper clip attaching hole 8.5 mm (0.335 in) dia. (Symmetrical) |
| (32) Rear combination light mounting hole 7 mm (0.28 in) dia. (Symmetrical) | (65) Floor mat clip attaching hole 8 mm (0.31 in) dia. | (77) Harness clip attaching hole 7 mm (0.28 in) dia. (Symmetrical) |

3. SEDAN MODEL (REAR)



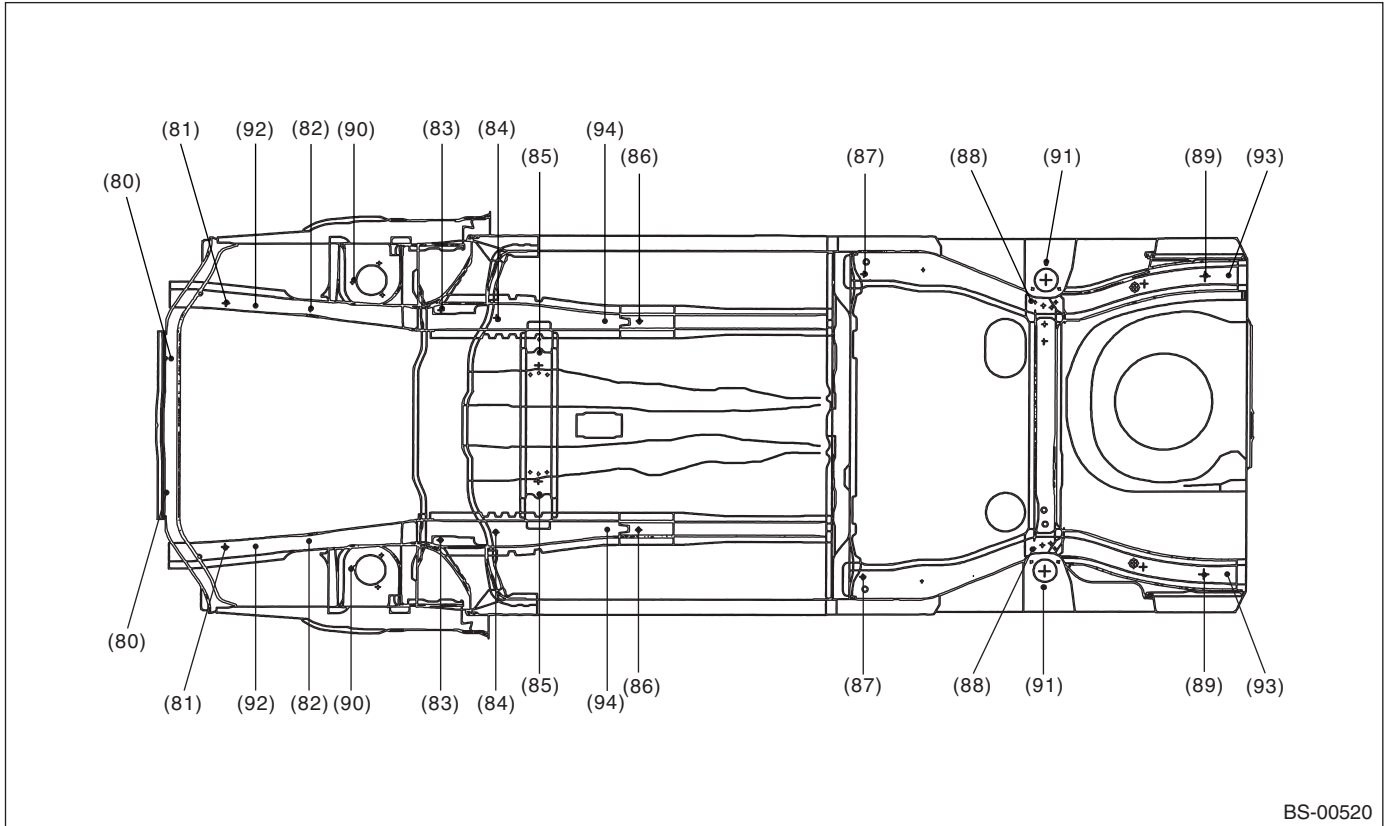
BS-00519

- | | | |
|---|--|--|
| (50) Repair locator hollow (Vehicle center) | (58) Rear bumper attaching hole 11 mm (0.43 in) dia. (Symmetrical) | (67) Gusset floor rear side gauge hole 11.5 mm (0.453 in) dia. (Symmetrical) |
| (51) Glass attaching hole RH 6.5 mm (0.256 in) dia. LH 6.5 × 10 mm (0.256 × 0.39 in) dia. | (60) Choke coil harness attaching hole 5.4 mm (0.213 in) dia. | (68) Rear skirt inner side gauge hole 10 mm (0.39 in) dia. (Symmetrical) |
| (55) Rear combination light mounting hole 8 mm (0.31 in) dia. (Symmetrical) | (63) Feeder line fixing hole 7 mm (0.28 in) dia. (Symmetrical) | (69) Rear panel (reinforcement) repair locator hollow (Vehicle center) |
| (56) Bumper attaching hole 7 mm (0.28 in) dia. (Symmetrical) | (65) Floor mat clip attaching hole 8 mm (0.31 in) dia. | (76) Press location hole 15 mm (0.59 in) dia. (Symmetrical) |
| | (66) Bulkhead rear gauge hole 10 mm (0.39 in) dia. (Symmetrical) | |

Datum Points

BODY STRUCTURE

4. UNDERBODY

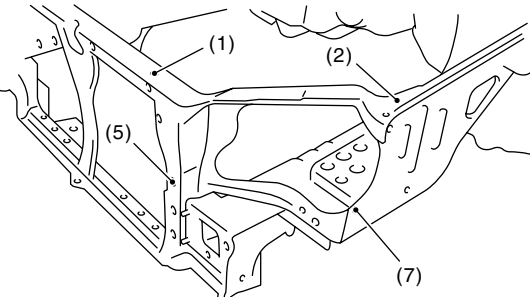
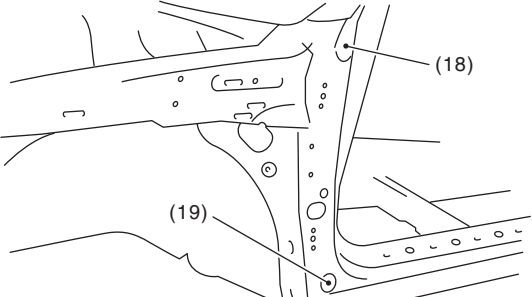
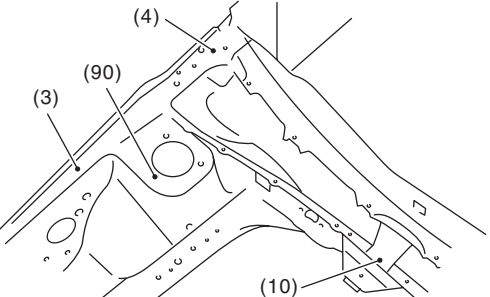
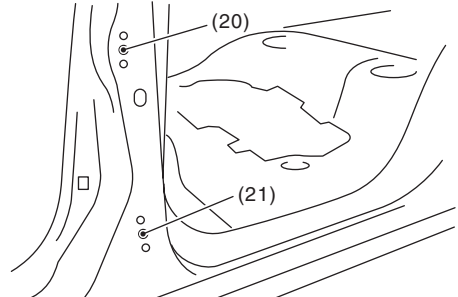
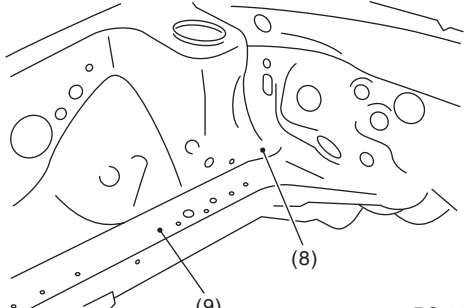
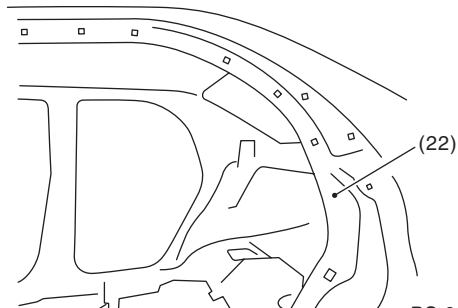
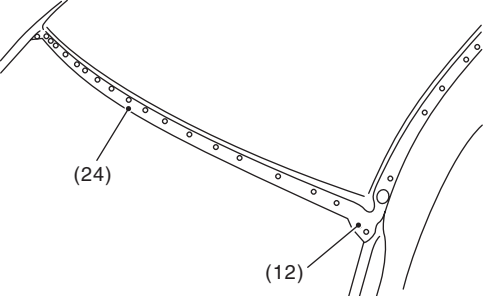
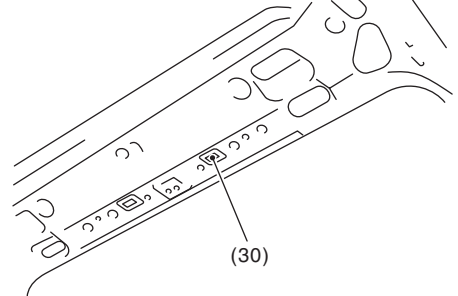


BS-00520

- | | | |
|---|--|---|
| (80) Radiator lower frame gauge hole 12 mm (0.47 in) dia. (Symmetrical) | (85) Transmission mount attaching hole 14 mm (0.55 in) dia. | (90) Strut mount attaching hole 9.5 mm (0.374 in) dia. (Symmetrical) |
| (81) Side frame gauge hole 20 mm (0.79 in) dia. (Symmetrical) | (86) Side frame gauge hole 18 mm (0.71 in) dia. (Symmetrical) | (91) Strut mount attaching hole 10 mm (0.39 in) dia. (Symmetrical) |
| (82) Front crossmember attaching hole 12.4 mm (0.488 in) dia. (Symmetrical) | (87) Rear differential attaching hole 16 mm (0.63 in) dia. (Symmetrical) | (92) Sub frame attaching hole 16 mm (0.63 in) dia. (Symmetrical) |
| (83) Suspension attaching hole 17 mm (0.67 in) dia. (Symmetrical) | (88) Rear suspension attaching hole 16 mm (0.63 in) dia. (Symmetrical) | (93) Bumper beam attaching hole RH 15 mm (0.59 in) dia. LH 19 × 15 mm (0.75 × 0.59 in) dia. |
| (84) Side frame gauge hole 20 mm (0.79 in) dia. (Symmetrical) | (89) Rear side frame gauge hole 15 mm (0.59 in) dia. (Symmetrical) | (94) Side frame gauge hole 15 mm (0.59 in) dia. (Symmetrical) |


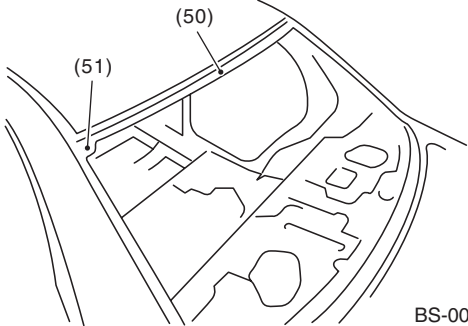
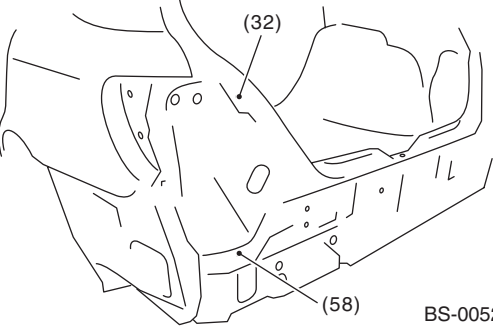
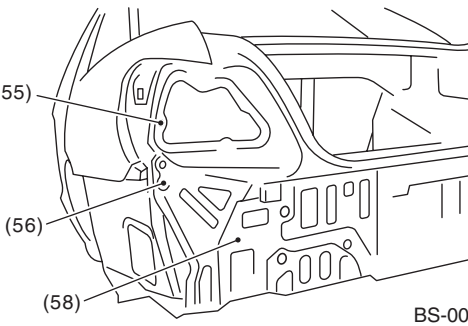
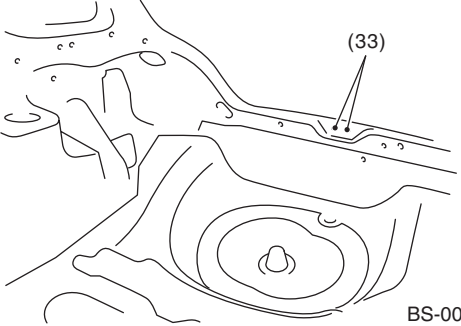
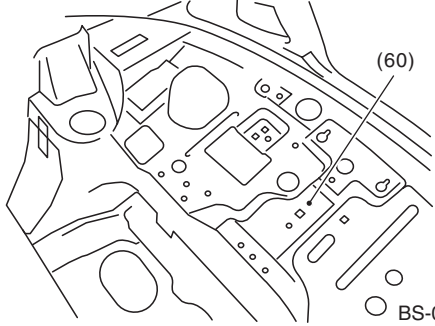
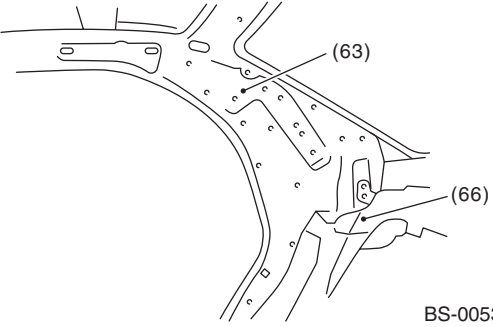
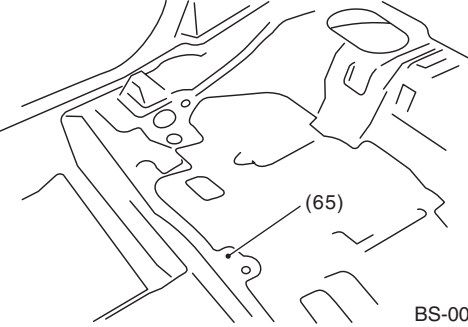
Datum Points

BODY STRUCTURE

| | |
|---|---|
|  <p>BS-01598</p> |  <p>BS-00525</p> |
|  <p>BS-00522</p> |  <p>BS-00526</p> |
|  <p>BS-00523</p> |  <p>BS-00556</p> |
|  <p>BS-00524</p> | <p>Wagon model</p>  <p>BS-00527</p> |

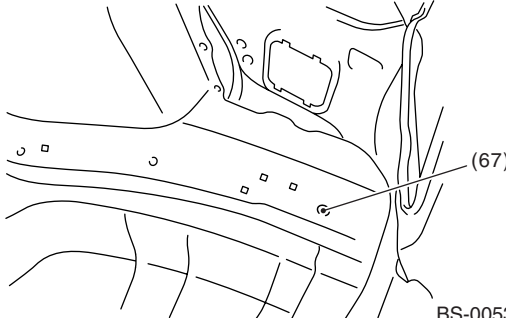
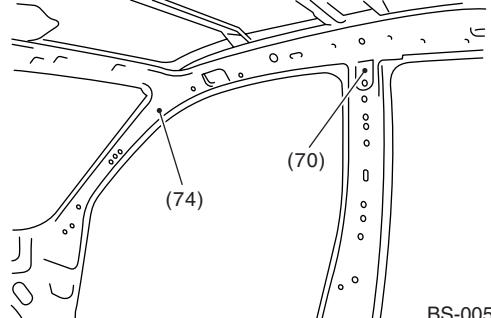
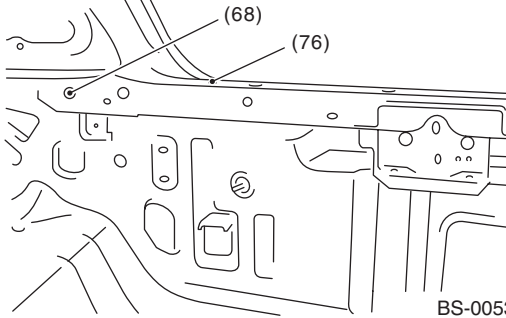
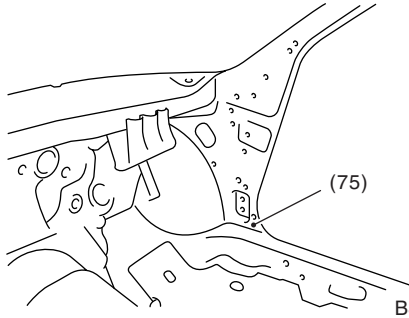
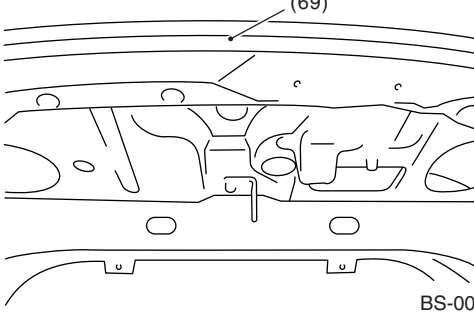
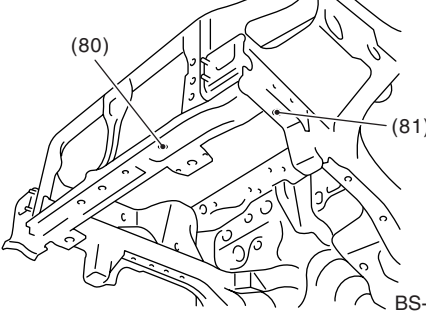
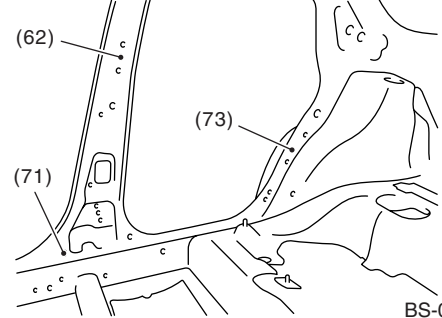
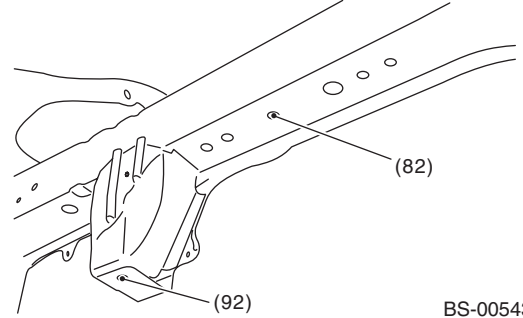
Datum Points

BODY STRUCTURE

| | |
|--|--|
| <p>Wagon model</p>  <p>BS-00528</p> | <p>Sedan model</p>  <p>BS-00532</p> |
| <p>Wagon model</p>  <p>BS-00529</p> | <p>Sedan model</p>  <p>BS-00533</p> |
| <p>Wagon model</p>  <p>BS-00530</p> | <p>Sedan model</p>  <p>BS-00534</p> |
| <p>Sedan model</p>  <p>BS-00531</p> |  <p>BS-00535</p> |

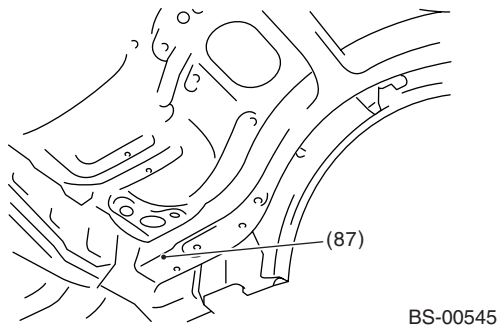
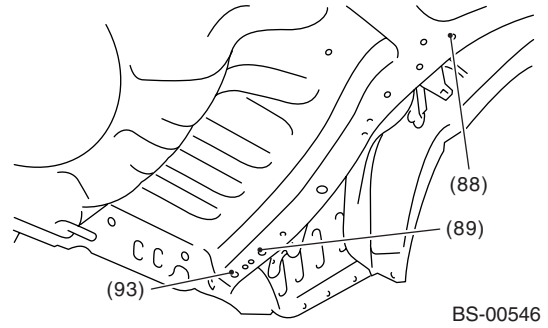
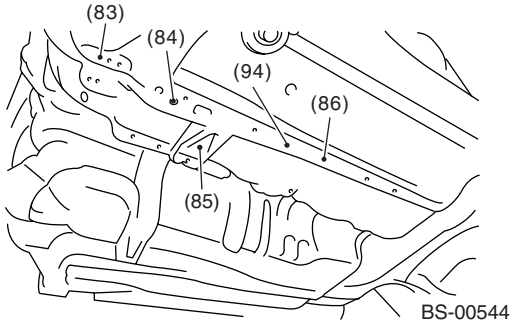
Datum Points

BODY STRUCTURE

| | |
|--|--|
|  <p>(67)</p> <p>BS-00536</p> |  <p>(74)</p> <p>(70)</p> <p>BS-00540</p> |
| <p>Sedan model</p>  <p>(68)</p> <p>(76)</p> <p>BS-00537</p> |  <p>(75)</p> <p>BS-00541</p> |
| <p>Sedan model</p>  <p>(69)</p> <p>BS-00538</p> |  <p>(80)</p> <p>(81)</p> <p>BS-00542</p> |
|  <p>(62)</p> <p>(71)</p> <p>(73)</p> <p>BS-00539</p> |  <p>(82)</p> <p>(92)</p> <p>BS-00543</p> |

Datum Points

BODY STRUCTURE



SUBARU.

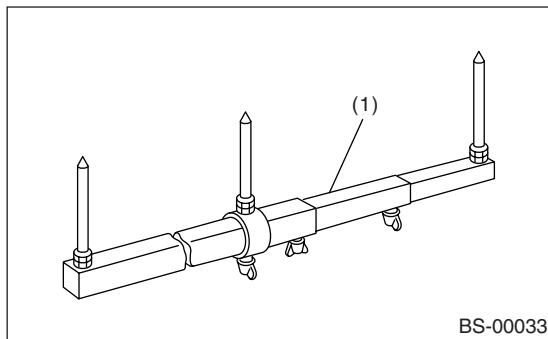
3. Datum Dimensions

A: MEASUREMENT

Refer to LOCATION for details on measurement points. <Ref. to BS-3, LOCATION, Datum Points.>

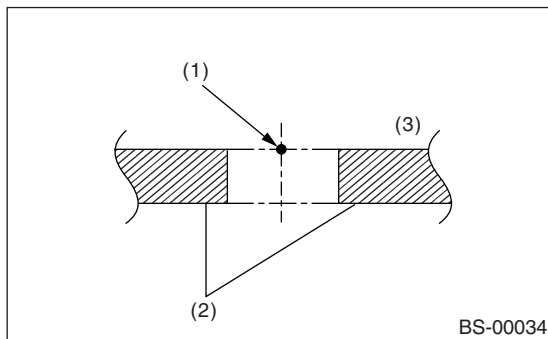
NOTE:

- Using a tram tracking gauge, measure all the dimensions.
- When using a tape measure, carefully measure dimensions without letting the tape measure sag or twist.
- Measure the linear dimensions between cores of holes.
- Suffixes "RH" and "LH" indicate right-hand and left-hand.



(1) Tram tracking gauge

- Measure at the center of the circle around the outside of the body panel.

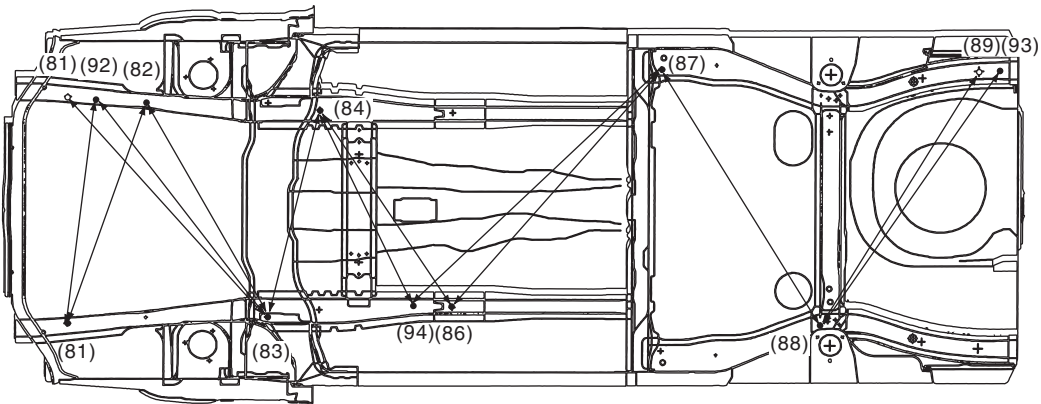
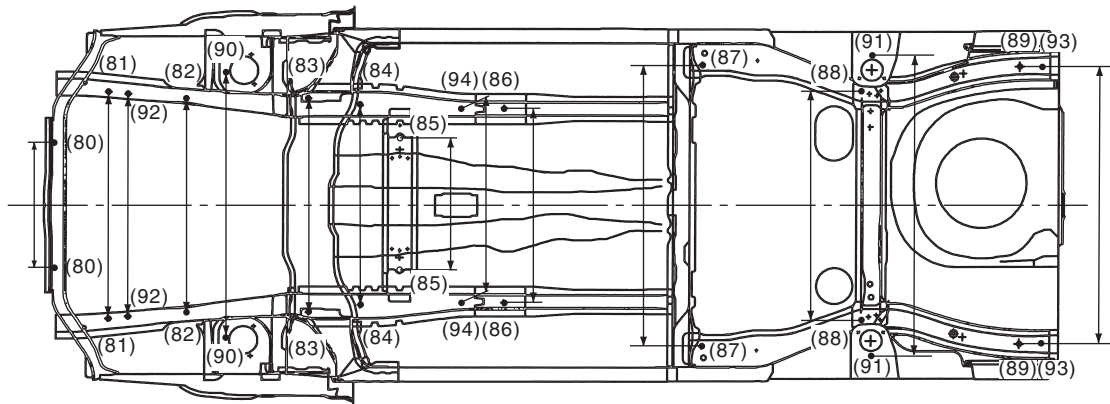
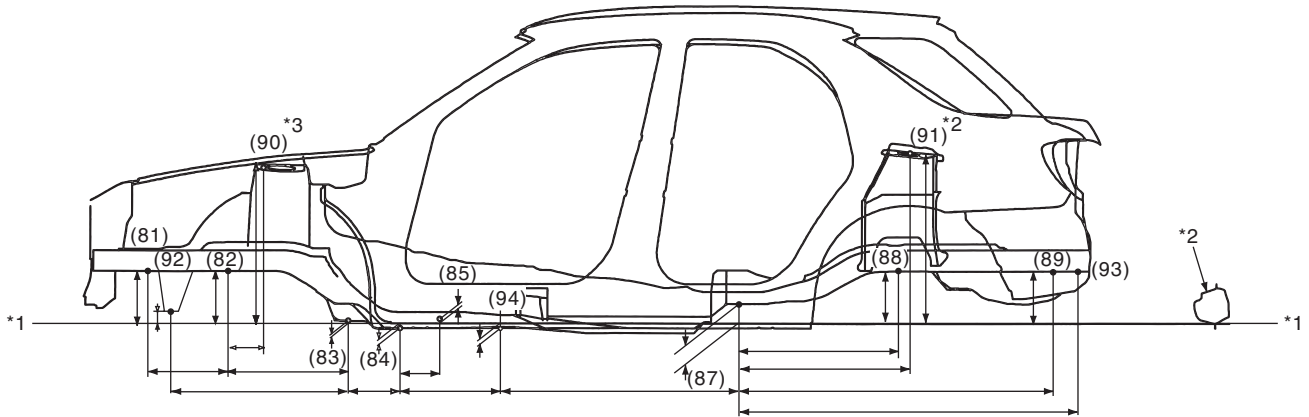


- (1) Datum point
- (2) Body panel
- (3) Outside

Datum Dimensions

BODY STRUCTURE

1. CENTER STRUCTURE



BS-00633

- *1: Standard line
- *2: Side sill
- *3: Upper surface

Datum Dimensions

BODY STRUCTURE

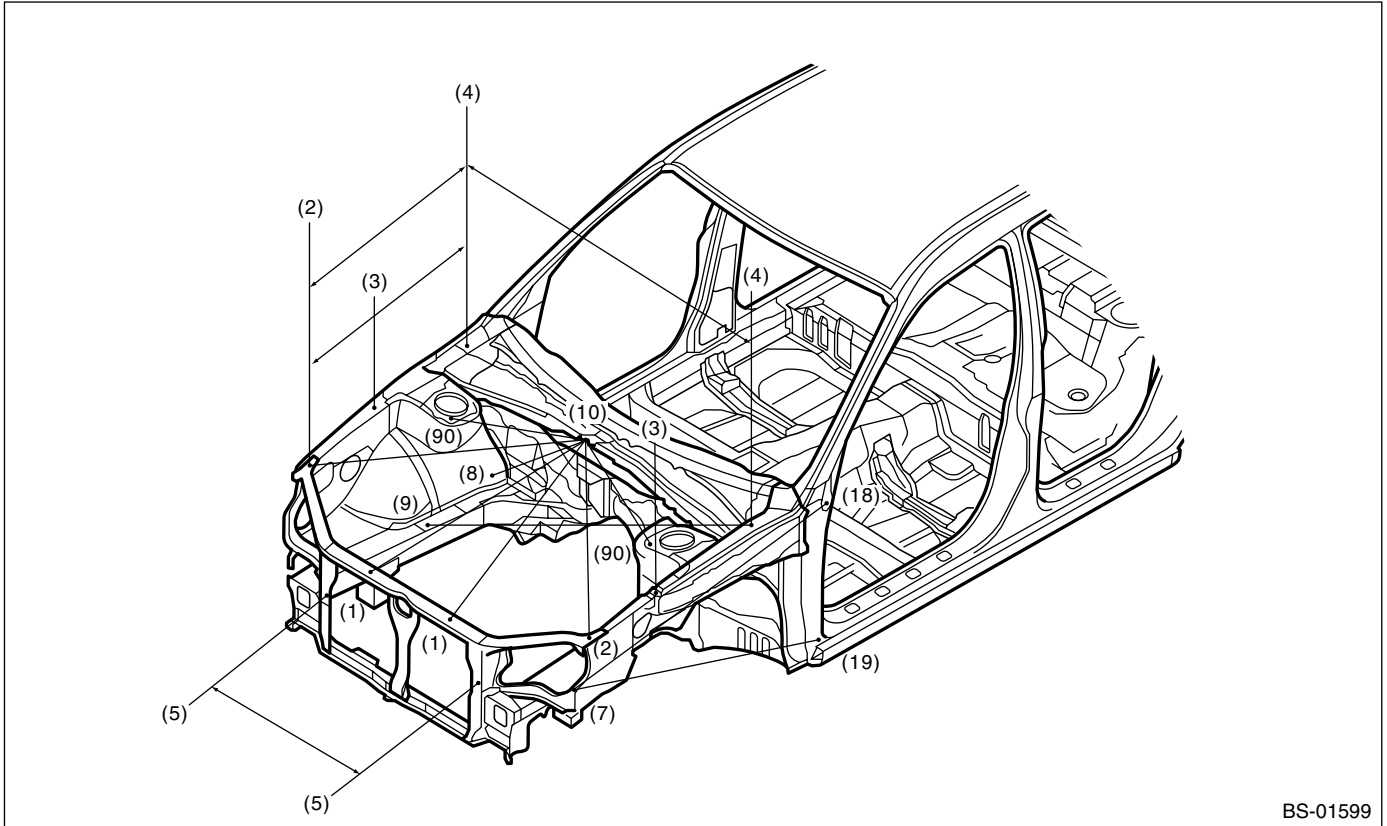
| Point to point | Dimension mm (in) |
|-------------------------|-------------------|
| (81) from standard line | 206 (8.11) |
| (92) from standard line | 77 (3.03) |
| (82) from standard line | 206 (8.11) |
| (90) from standard line | 620 (24.41) |
| (83) from standard line | 8 (0.31) |
| (84) from standard line | 20 (0.79) |
| (85) from standard line | 13 (0.51) |
| (94) from standard line | 12 (0.47) |
| (87) from standard line | 76 (2.99) |
| (88) from standard line | 206 (8.11) |
| (91) from standard line | 674 (26.54) |
| (89) from standard line | 205 (8.07) |
| (81) to (82) | 317 (12.48) |
| (82) to (90) | 157 (6.18) |
| (82) to (83) | 485 (19.09) |
| (92) to (83) | 694 (27.32) |
| (83) to (84) | 206 (8.11) |
| (84) to (85) | 159 (6.26) |
| (84) to (94) | 380 (14.96) |
| (94) to (87) | 982 (38.66) |
| (87) to (88) | 633 (24.92) |
| (87) to (91) | 673 (26.50) |
| (87) to (89) | 1,258 (49.53) |
| (87) to (93) | 1,358 (53.46) |
| (80) RH to (80) LH | 500 (19.69) |
| (81) RH to (81) LH | 910 (35.83) |
| (92) RH to (92) LH | 906 (35.67) |
| (82) RH to (82) LH | 860 (33.86) |
| (90) RH to (90) LH | 1,065 (41.93) |
| (83) RH to (83) LH | 856 (33.70) |
| (84) RH to (84) LH | 800 (31.50) |
| (85) RH to (85) LH | 529 (20.83) |
| (94) RH to (94) LH | 776 (30.55) |
| (86) RH to (86) LH | 780 (30.71) |
| (87) RH to (87) LH | 1,128 (44.41) |
| (88) RH to (88) LH | 920 (36.22) |
| (91) RH to (91) LH | 1,205 (47.44) |
| (89) RH to (89) LH | 1,110 (43.70) |
| (93) RH to (93) LH | 1,110 (43.70) |
| (81) LH to (92) RH | 924 (36.38) |
| (81) LH to (82) RH | 940 (37.01) |
| (81) RH to (83) LH | 1,209 (47.60) |
| (92) RH to (83) LH | 1,124 (44.25) |
| (82) RH to (83) LH | 1,005 (39.57) |
| (83) LH to (84) RH | 854 (33.62) |
| (84) RH to (94) LH | 875 (34.45) |
| (84) RH to (86) LH | 951 (37.44) |
| (94) LH to (87) RH | 1,371 (53.98) |
| (86) LH to (87) RH | 1,269 (49.96) |
| (87) RH to (88) LH | 1,211 (47.68) |
| (88) LH to (89) RH | 1,192 (46.93) |

| Point to point | Dimension mm (in) |
|--------------------|-------------------|
| (88) LH to (93) RH | 1,247 (49.09) |

Datum Dimensions

BODY STRUCTURE

2. WAGON MODEL/SEDAN MODEL (FRONT STRUCTURE)



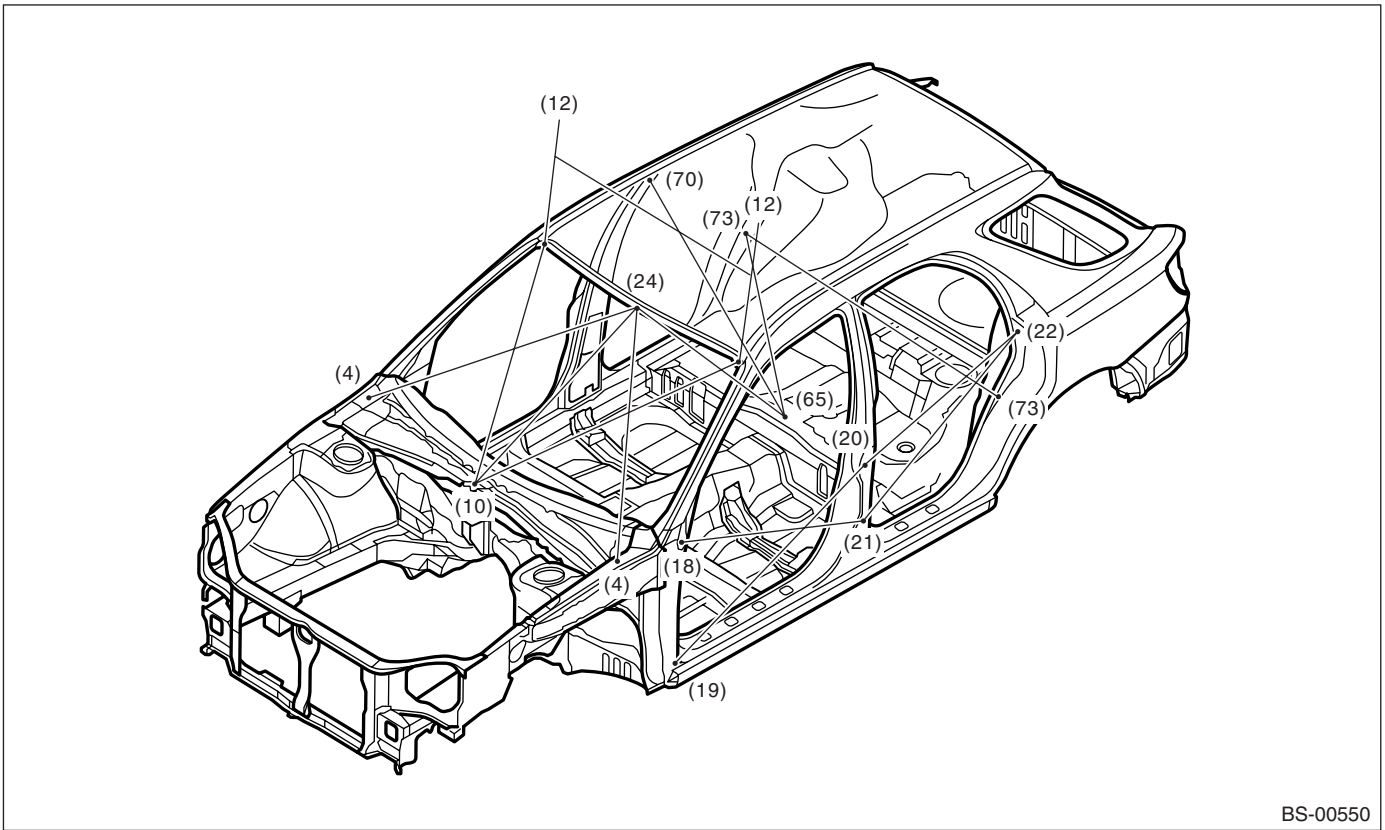
BS-01599

| Point to point | Dimension mm (in) |
|--------------------|-------------------|
| (10) to (1) RH | 912 (35.91) |
| (10) to (1) LH | 912 (35.91) |
| (10) to (90) RH | 566 (22.28) |
| (10) to (90) LH | 566 (22.28) |
| (10) to (8) RH | 581 (22.87) |
| (10) to (8) LH | 581 (22.87) |
| (10) to (2) RH | 944 (37.16) |
| (10) to (2) LH | 944 (37.16) |
| (4) RH to (2) RH | 774 (30.47) |
| (4) LH to (2) LH | 774 (30.47) |
| (4) RH to (3) RH | 430 (16.93) |
| (4) LH to (3) LH | 430 (16.93) |
| (90) RH to (90) LH | 1,065 (41.93) |
| (8) RH to (8) LH | 894 (35.20) |
| (8) RH to (4) LH | 1,210 (47.64) |
| (8) LH to (4) RH | 1,210 (47.64) |
| (3) RH to (2) RH | 346 (13.61) |
| (3) LH to (2) LH | 346 (13.61) |
| (4) RH to (4) LH | 1,417 (55.79) |
| (2) RH to (2) LH | 1,340 (52.76) |
| (5) RH to (5) LH | 720 (28.35) |
| (7) RH to (18) RH | 1,059 (41.70) |
| (7) LH to (18) LH | 1,059 (41.70) |
| (7) RH to (19) RH | 1,053 (41.44) |
| (7) LH to (19) LH | 1,053 (41.44) |

| Point to point | Dimension mm (in) |
|------------------|-------------------|
| (4) RH to (2) LH | 1,580 (62.22) |
| (4) LH to (2) RH | 1,580 (62.22) |
| (3) RH to (3) LH | 1,396 (54.96) |
| (3) RH to (4) LH | 1,470 (57.87) |
| (3) LH to (4) RH | 1,470 (57.87) |
| (2) RH to (3) LH | 1,411 (55.54) |
| (2) LH to (3) RH | 1,411 (55.54) |
| (9) RH to (9) LH | 860 (33.86) |
| (9) RH to (8) LH | 931 (36.65) |
| (9) LH to (8) RH | 931 (36.65) |
| (9) RH to (4) LH | 1,278 (50.31) |
| (9) LH to (4) RH | 1,278 (50.31) |

Datum Dimensions

BODY STRUCTURE



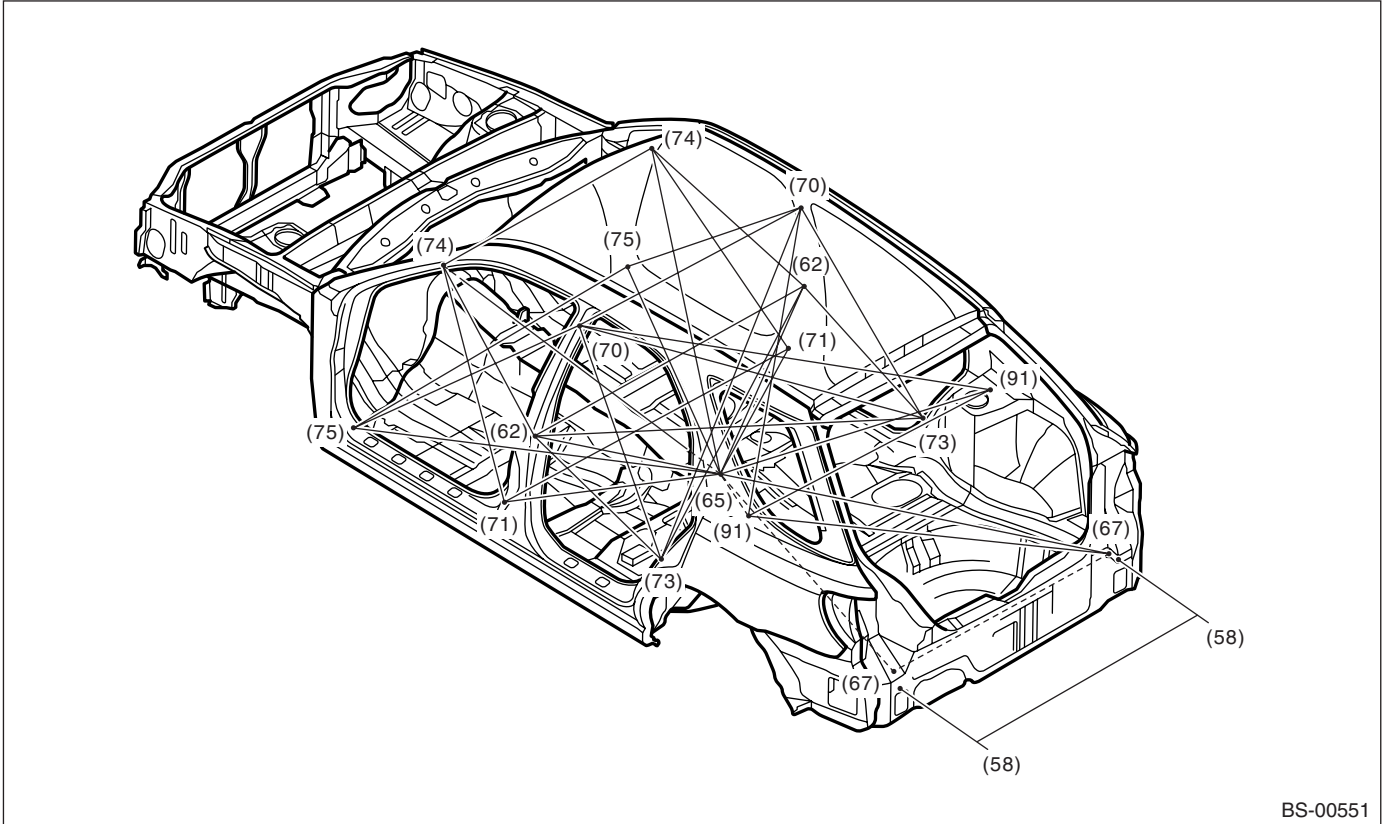
BS-00550

| Point to point | Dimension mm (in) |
|--------------------|---------------------------|
| (4) RH to (24) | 1,127 (44.37) Wagon model |
| (4) LH to (24) | 1,110 (43.70) Sedan model |
| (10) to (24) | 958 (37.72) Wagon model |
| (10) to (24) | 935 (36.81) Sedan model |
| (10) to (12) RH | 1,122 (44.17) Wagon model |
| (10) to (12) RH | 1,106 (43.54) Sedan model |
| (10) to (12) LH | 1,122 (44.17) Wagon model |
| (10) to (12) LH | 1,106 (43.17) Sedan model |
| (12) RH to (12) LH | 1,029 (40.51) Wagon model |
| (12) RH to (12) LH | 1,042 (41.02) Sedan model |
| (18) RH to (21) RH | 1,049 (41.30) |
| (18) LH to (21) LH | 1,049 (41.30) |
| (19) RH to (20) RH | 1,089 (42.87) |
| (19) LH to (20) LH | 1,089 (42.87) |
| (20) RH to (22) RH | 869 (34.21) |
| (20) LH to (22) LH | 869 (34.21) |
| (21) RH to (22) RH | 985 (38.78) |
| (21) LH to (22) LH | 985 (38.78) |
| (24) to (65) | 1,232 (48.50) Wagon model |
| (24) to (65) | 1,237 (48.70) Sedan model |
| (65) to (70) RH | 1,067 (42.01) |
| (65) to (70) LH | 1,067 (42.01) |
| (65) to (73) RH | 830 (32.68) |
| (65) to (73) LH | 830 (32.68) |
| (73) RH to (73) LH | 1,394 (54.88) |

Datum Dimensions

BODY STRUCTURE

3. WAGON MODEL/SEDAN MODEL (REAR STRUCTURE)

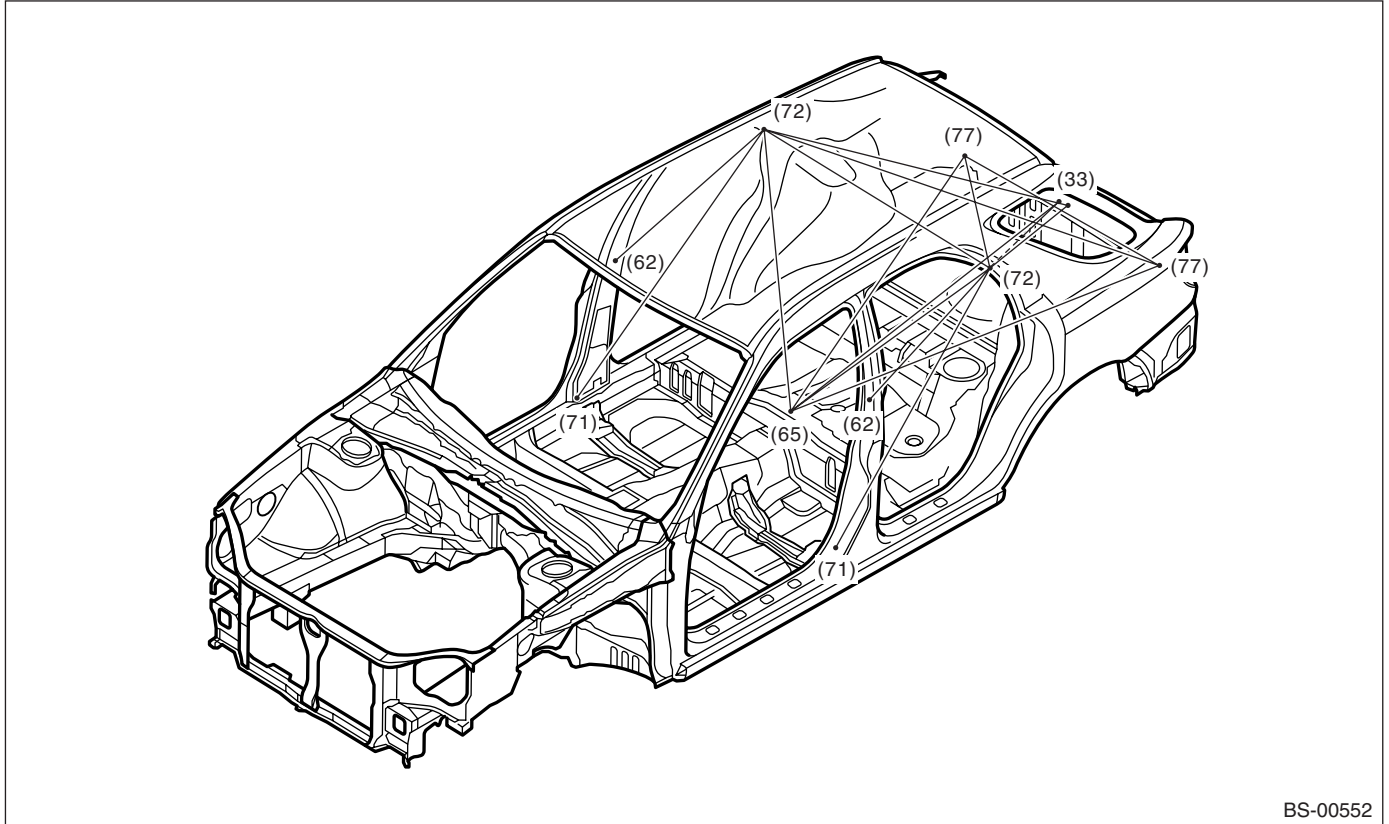


BS-00551

| Point to point | Dimension mm (in) |
|--------------------|---------------------------|
| (58) RH to (58) LH | 1,128 (44.41) |
| (62) RH to (62) LH | 1,332 (52.44) |
| (62) RH to (65) | 915 (36.02) |
| (62) LH to (65) | 915 (36.02) |
| (62) RH to (73) RH | 762 (30.00) |
| (62) LH to (73) LH | 762 (30.00) |
| (62) RH to (73) LH | 1,561 (61.46) |
| (62) LH to (73) RH | 1,561 (61.46) |
| (62) RH to (74) RH | 592 (23.31) Wagon model |
| (62) LH to (74) LH | 603 (23.74) Sedan model |
| (65) to (67) RH | 1,501 (59.09) |
| (65) to (67) LH | 1,501 (59.09) |
| (65) to (71) RH | 823 (32.40) |
| (65) to (71) LH | 823 (32.40) |
| (65) to (74) RH | 1,275 (50.20) Wagon model |
| (65) to (74) LH | 1,282 (50.47) Sedan model |
| (65) to (75) RH | 1,450 (57.09) |
| (65) to (75) LH | 1,450 (57.09) |
| (65) to (91) RH | 1,064 (41.89) |
| (65) to (91) LH | 1,064 (41.89) |
| (67) RH to (67) LH | 1,110 (43.70) |
| (67) RH to (91) LH | 1,381 (54.37) |
| (67) LH to (91) RH | 1,381 (54.37) |
| (70) RH to (70) LH | 1,060 (41.73) |
| (70) RH to (73) RH | 948 (37.32) |

| Point to point | Dimension mm (in) |
|--------------------|---------------------------|
| (70) LH to (73) LH | 948 (37.32) |
| (70) RH to (73) LH | 1,542 (60.71) |
| (70) LH to (73) RH | 1,542 (60.71) |
| (70) RH to (75) RH | 1,443 (56.81) |
| (70) LH to (75) LH | 1,443 (56.81) |
| (70) RH to (91) LH | 1,532 (60.32) |
| (70) LH to (91) RH | 1,532 (60.32) |
| (71) RH to (71) LH | 1,361 (53.58) |
| (71) RH to (74) RH | 954 (37.56) Wagon model |
| (71) LH to (74) LH | 949 (37.36) Sedan model |
| (74) RH to (74) LH | 1,135 (44.69) Wagon model |
| (74) RH to (74) LH | 1,147 (45.16) Sedan model |
| (75) RH to (75) LH | 1,399 (55.08) |
| (91) RH to (91) LH | 1,205 (47.44) |

4. WAGON MODEL (FRONT STRUCTURE)



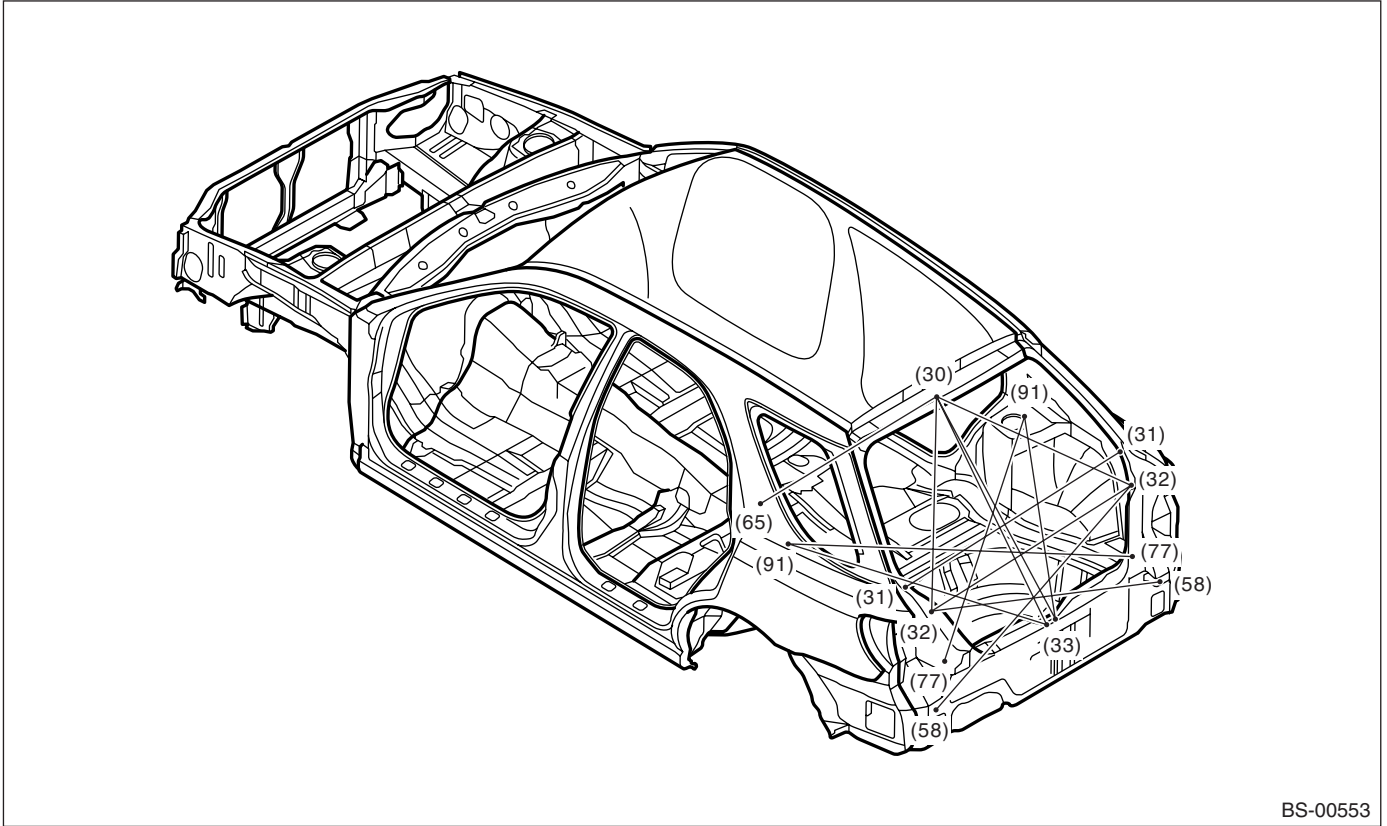
BS-00552

| Point to point | Dimension mm (in) |
|--------------------|-------------------|
| (33) RH to (65) | 1,534 (60.39) |
| (33) LH to (65) | 1,534 (60.39) |
| (33) RH to (72) LH | 1,334 (52.52) |
| (33) LH to (72) RH | 1,334 (52.52) |
| (62) RH to (72) RH | 732 (28.82) |
| (62) LH to (72) LH | 732 (28.82) |
| (65) to (72) RH | 1,076 (42.36) |
| (65) to (72) LH | 1,076 (42.36) |
| (65) to (77) RH | 1,538 (60.55) |
| (65) to (77) LH | 1,538 (60.55) |
| (71) RH to (72) RH | 1,223 (48.15) |
| (71) LH to (72) LH | 1,223 (48.15) |
| (72) RH to (72) LH | 1,226 (48.27) |
| (72) RH to (77) LH | 1,544 (60.79) |
| (72) LH to (77) RH | 1,544 (60.79) |
| (77) RH to (77) LH | 898 (35.35) |

Datum Dimensions

BODY STRUCTURE

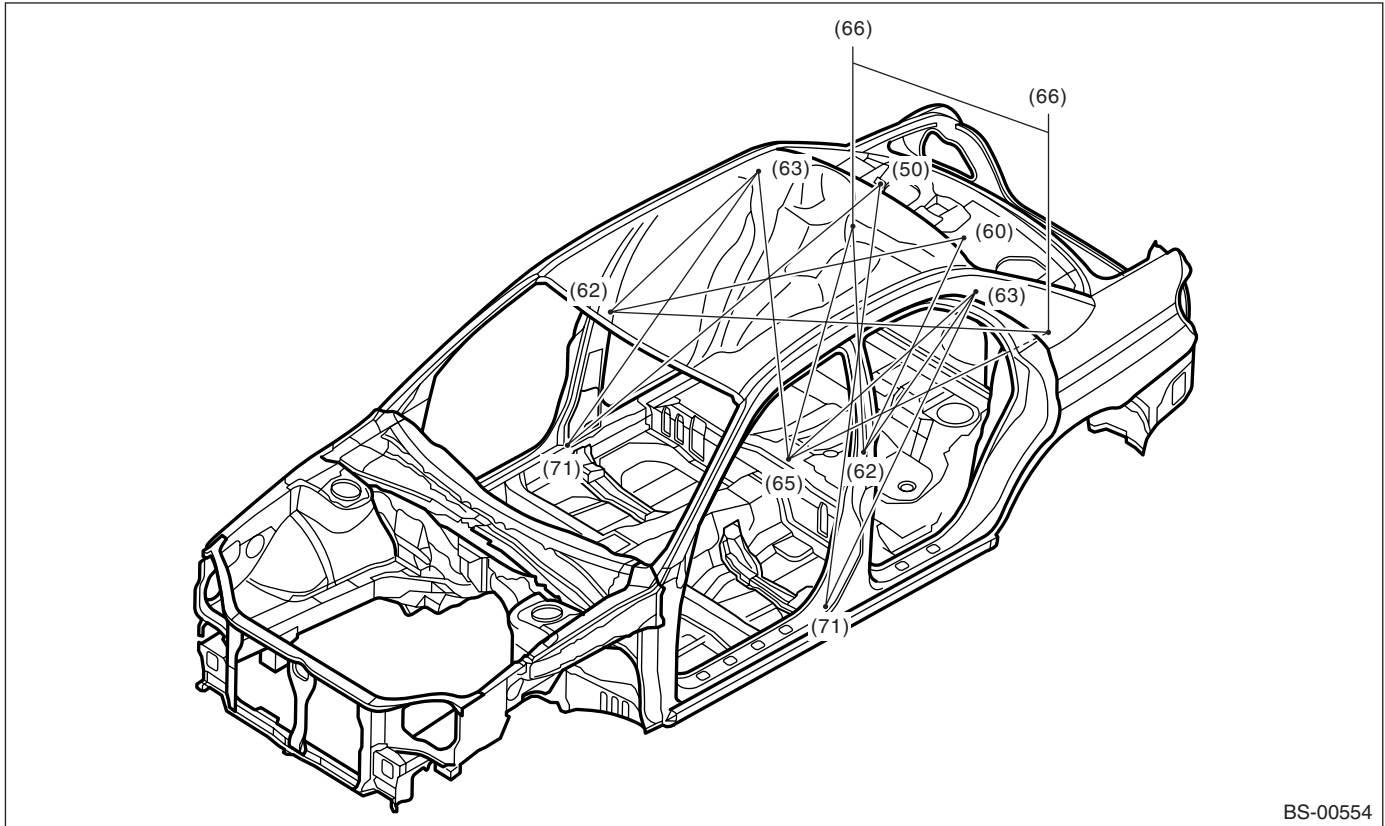
5. WAGON MODEL (REAR STRUCTURE)



BS-00553

| Point to point | Dimension mm (in) |
|--------------------|-------------------|
| (30) to (32) RH | 850 (33.46) |
| (30) to (32) LH | 850 (33.46) |
| (30) to (33) RH | 904 (35.59) |
| (30) to (33) LH | 904 (35.59) |
| (30) to (65) | 1,293 (50.91) |
| (31) RH to (31) LH | 1,212 (47.72) |
| (32) RH to (32) LH | 1,038 (40.87) |
| (32) RH to (58) LH | 1,139 (44.84) |
| (32) LH to (58) RH | 1,139 (44.84) |
| (33) RH to (91) RH | 993 (39.09) |
| (33) LH to (91) LH | 993 (39.09) |
| (77) RH to (91) LH | 1,289 (50.75) |
| (77) LH to (91) RH | 1,289 (50.75) |

6. SEDAN MODEL (FRONT STRUCTURE)



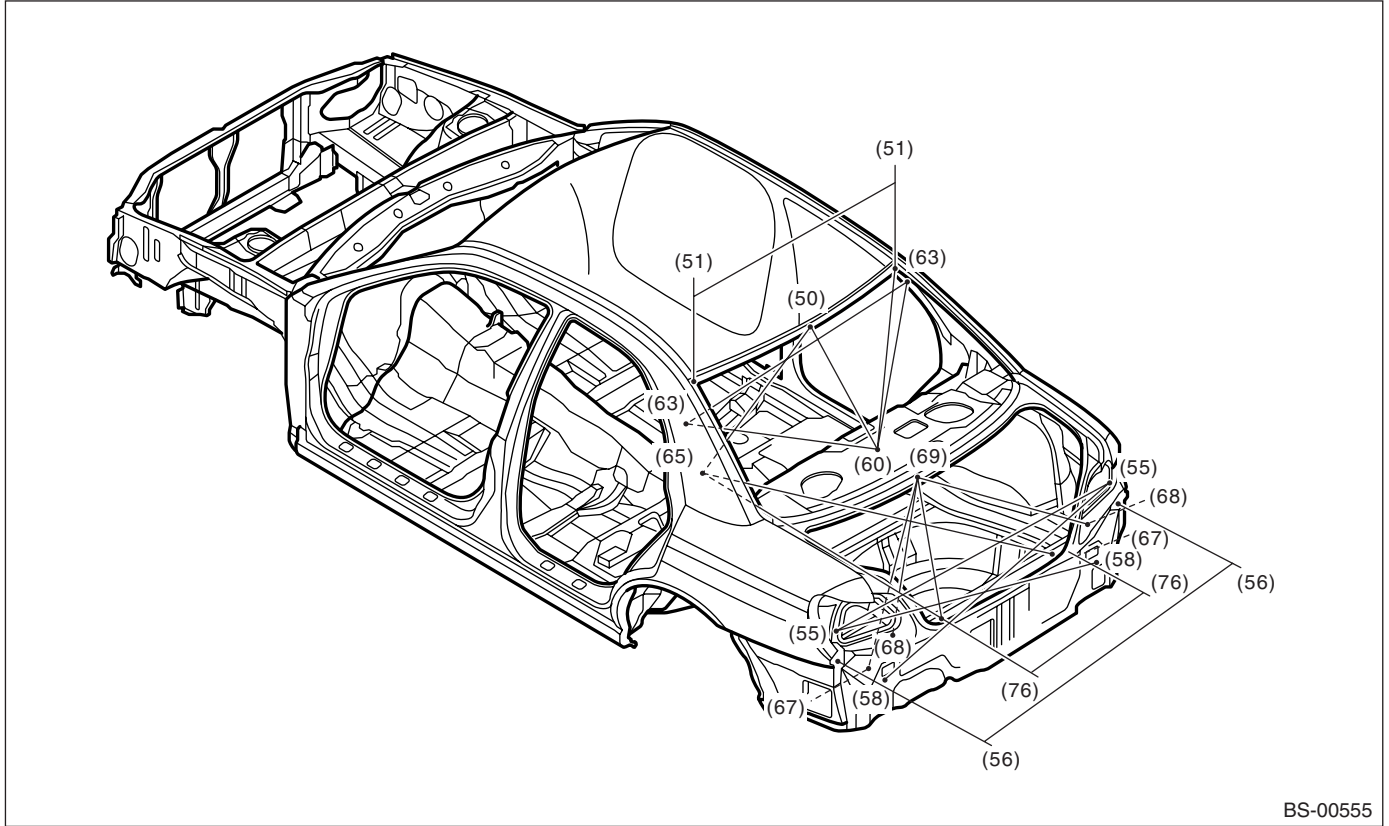
BS-00554

| Point to point | Dimension mm (in) |
|--------------------|-------------------|
| (50) to (71) RH | 1,562 (61.50) |
| (50) to (71) LH | 1,562 (61.50) |
| (60) to (62) RH | 1,338 (52.68) |
| (60) to (62) LH | 1,338 (52.68) |
| (62) RH to (63) RH | 773 (30.43) |
| (62) LH to (63) LH | 773 (30.43) |
| (62) RH to (66) LH | 1,449 (57.05) |
| (62) LH to (66) RH | 1,449 (57.05) |
| (63) RH to (65) | 1,118 (44.02) |
| (63) LH to (65) | 1,118 (44.02) |
| (63) RH to (71) RH | 1,283 (50.51) |
| (63) LH to (71) LH | 1,283 (50.51) |
| (65) to (66) RH | 956 (37.64) |
| (65) to (66) LH | 956 (37.64) |
| (66) RH to (66) LH | 840 (33.07) |

Datum Dimensions

BODY STRUCTURE

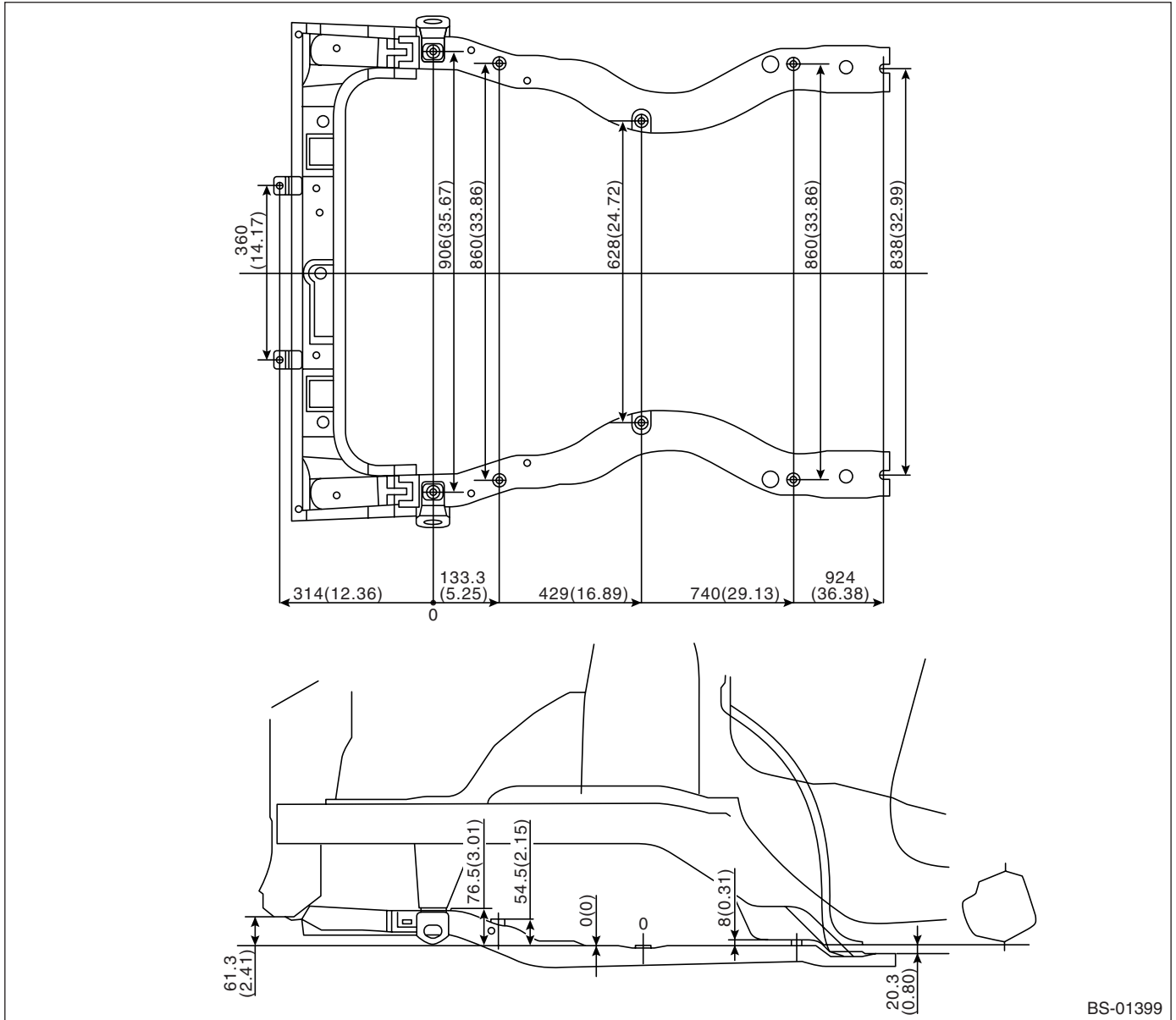
7. SEDAN MODEL (REAR STRUCTURE)



BS-00555

| Point to point | Dimension mm (in) |
|--------------------|-------------------|
| (50) to (60) | 501 (19.72) |
| (50) to (65) | 1,082 (42.60) |
| (51) RH to (51) LH | 1,025 (40.35) |
| (51) RH to (60) | 734 (28.90) |
| (55) RH to (55) LH | 1,406 (55.35) |
| (55) RH to (58) LH | 1,297 (51.06) |
| (55) LH to (58) RH | 1,297 (51.06) |
| (56) RH to (56) LH | 1,426 (56.14) |
| (60) to (63) RH | 764 (30.08) |
| (60) to (63) LH | 764 (30.08) |
| (63) RH to (63) LH | 1,183 (46.57) |
| (65) to (76) RH | 1,544 (60.79) |
| (65) to (76) LH | 1,544 (60.79) |
| (65) to (68) RH | 1,581 (62.24) |
| (65) to (68) LH | 1,581 (62.24) |
| (67) RH to (69) | 784 (30.87) |
| (67) LH to (69) | 784 (30.87) |
| (68) RH to (68) LH | 1,020 (40.16) |
| (68) RH to (69) | 681 (26.81) |
| (68) LH to (69) | 681 (26.81) |
| (69) to (76) RH | 537 (21.14) |
| (69) to (76) LH | 537 (21.14) |
| (76) RH to (76) LH | 600 (23.62) |

8. SUB FRAME ALIGNMENT



Unit: mm (in)

Horizontal and vertical dimensions are values measured from datum points (0).

Datum Dimensions

BODY STRUCTURE
